

SENESE

Farfalla Flush Plate for Geberit Sigma

Installation Guideline

Senese Srl p.iva 01602790527
Loc. Frassi 34, 53011 Castellina in Chianti
senese.com

Farfalla Flush Plate

Solid Brass Flush Plate

Article

Polished Brass AR70/M ON

Polished Chrome AR70/M CR

Aged Brass AR70/M AB

Burnished Brass AR70/M BB

Polished Nickel AR70/M NI

Satin Nickel AR70/M NS

Black Nickel AR70/M NNO

Gold AR70/M OR



Installation Guide for Cielo Flush Plate

Preparing the Wall

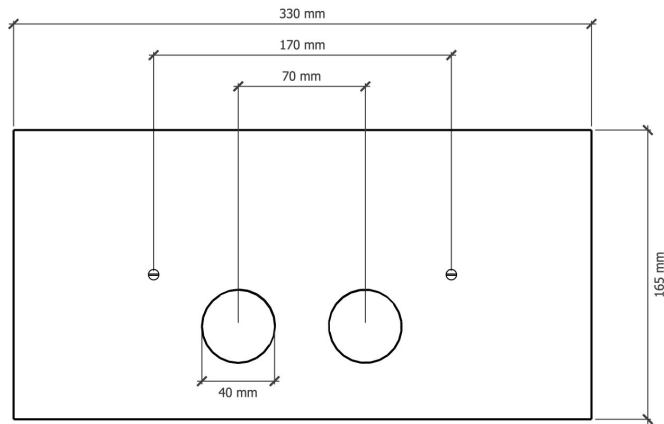
- Ensure the wall surface is tiled and levelled.
- The cut-out for the fixture in wall panels should be made according to Geberit's instructions. Tile as close to the box as possible

Installing the Mounting Frame

1. Attach the flush rods to the cistern mechanism.
2. Trim the rods so they align flush with the finished wall surface to ensure correct operation.
3. Install the mounting bar using the provided screws, aligning with the designated fixing points.
4. Mount the plate onto the frame and secure it with the external screws.
5. Ensure the plate is perfectly aligned before final tightening.

Cleaning

Wipe the surface with a soft cloth and lukewarm water and possibly with soap solution. Avoid alkaline, acid-liming or abrasive cleaners. Brass is a material that over time gets a beautiful patina but can be polished with brass polish. Aged and Burnished Brass also gets patina but should not be polished. The galvanized surfaces retain their lustre.



For assistance or technical questions

service@senese.com
Tel: +39 0577 160 7485
www.senese.com

