

**SENESE**

**Kappa Exposed Shower Set**

Installation Guideline

## Kappa Exposed Shower Set

### Exposed Shower Set with 2-way Diverter Valve

#### Article

Polished Brass	DS200EMSK ON 1.895 Eur incl. VAT
Polished Chrome	DS200EMSK CR 2.195 Eur incl. VAT
Aged Brass	DS200EMSK AB 2.245 Eur incl. VAT
Burnished Brass	DS200EMSK BB 2.245 Eur incl. VAT
Polished Nickel	DS200EMSK NI 2.245 Eur incl. VAT
Satin Nickel	DS200EMSK NS 2.790 Eur incl. VAT
Black Nickel	DS200EMSK NNO 2.790 Eur incl. VAT
Gold	DS200EMSK OR 3.270Eur incl. VAT



## Installation Guide

### Before You Begin

- 1. Turn off the Water Supply**  
Ensure all water supply lines are completely shut off before beginning installation.
- 2. Flush Supply Lines**  
Run water through the supply lines to **clear any debris or sediment**. This prevents blockages or damage to internal components of the fixture.
- 3. Isolation Valves**  
We recommend installing isolation valves on the hot and cold inlet feeds for easier future maintenance.

### Step-by-Step Installation:

#### Prepare Wall Connections

Ensure that the hot and cold wall outlets are level and aligned horizontally.  
Hot to the left and cold to the right facing the installation.  
The outlets should be positioned min 2 and max 10 mm **inside the finished wall**.  
Centre-to-centre distance between outlets 200mm (tolerance 190 – 210mm.)

#### Install the Mixer Body

Fit the supplied wall escutcheons and inlet connectors.  
Mount the mixer body onto the wall inlet connections.  
Tighten connections with the screw below the faucet body.  
Ensure the mixer body is level before final tightening. Tight firm but do not overtighten.

#### Install the Riser Tube

Attach the vertical riser pipe to the top outlet of the mixer body.  
Secure the upper wall bracket to the wall using suitable fixings for the wall type.

#### Install the Overhead Shower

Attach the horizontal arm to the top of the riser pipe.  
Install the overhead shower head, ensuring seals are correctly positioned.  
Tighten by hand only. Do not use tools directly on finished surfaces.

#### Install the Hand Shower and Hose

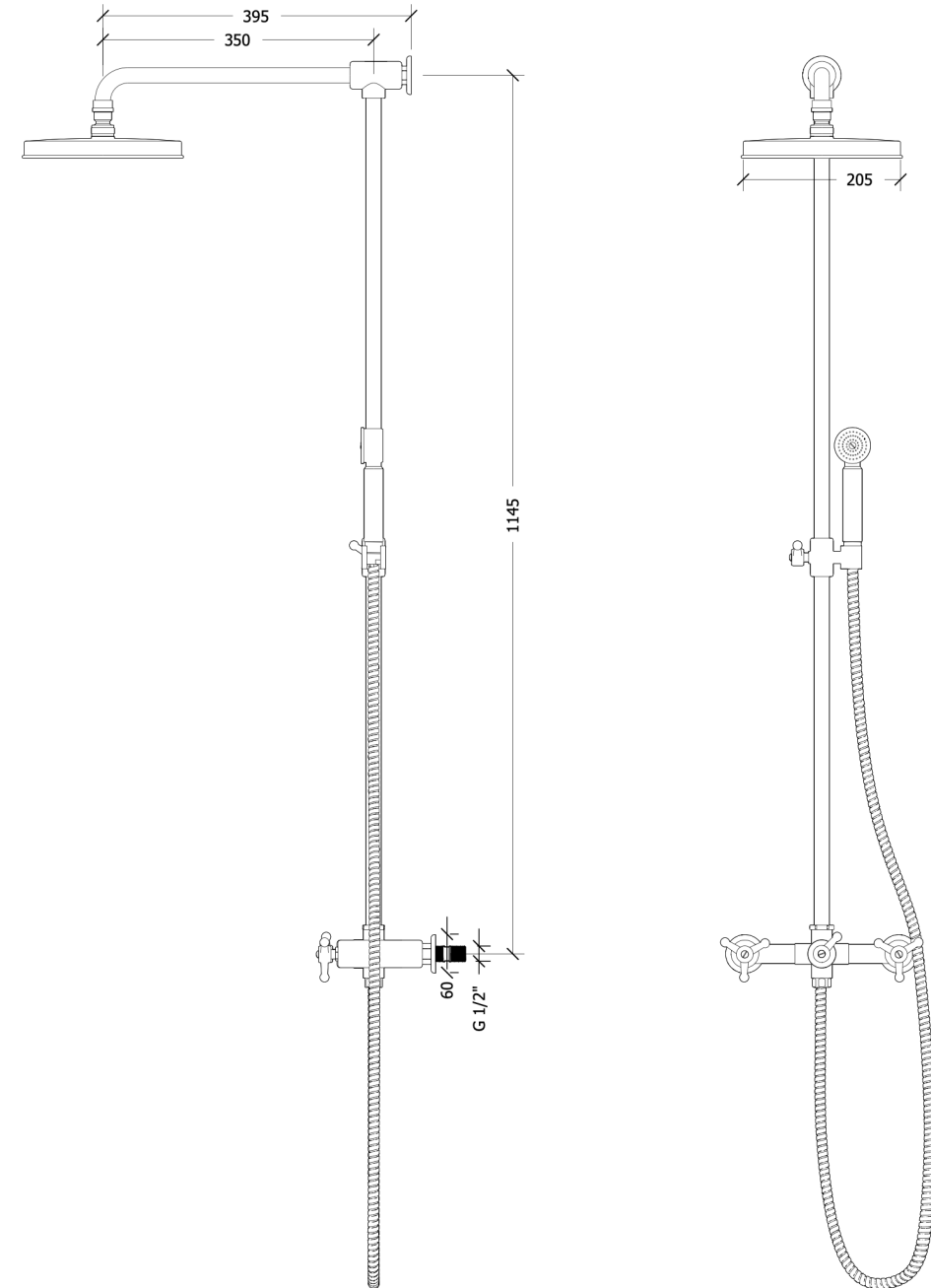
Connect the flexible shower hose to the hand shower. For certain metal finishes the thread can be firm. Tighten by hand only.

#### Flush the system

With the shower head and hand shower installed, slowly turn on the water supply.  
Open the mixer and diverter to allow water to run through both outlets for several minutes to remove any remaining debris.

#### Check for Leaks

Inspect all connections, including wall inlets, riser joints, hose connections, and shower head connections. Confirm smooth operation of temperature control, flow control, and diverter.  
Ensure the riser and wall bracket are securely fixed and correctly aligned.



## Post-Installation Care

### Cleaning and Maintenance

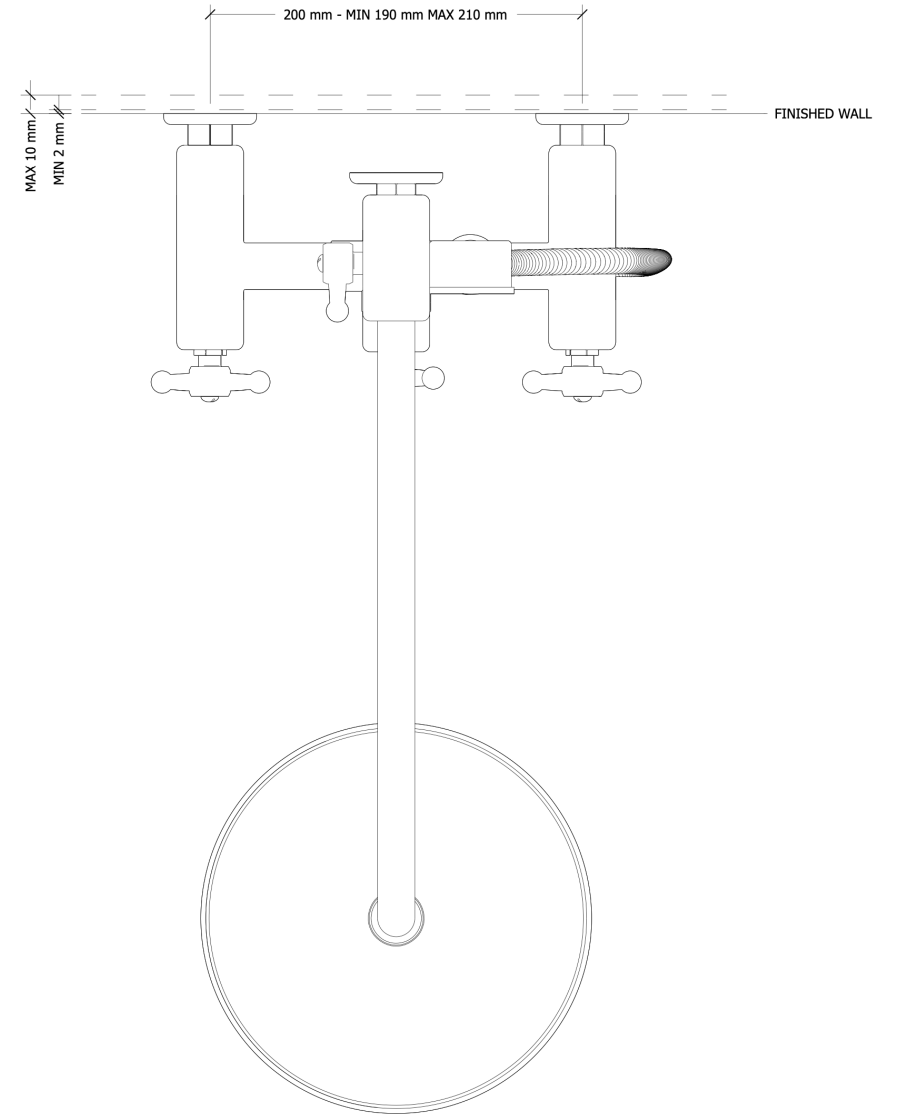
Regularly clean the faucet surface with a soft cloth, lukewarm water, and mild soap. Avoid using harsh chemicals or abrasive materials. For brass finishes, use brass polish to maintain shine, except for aged or burnished brass which should not be polished.

### Aerator and Shower Handle Decalcification

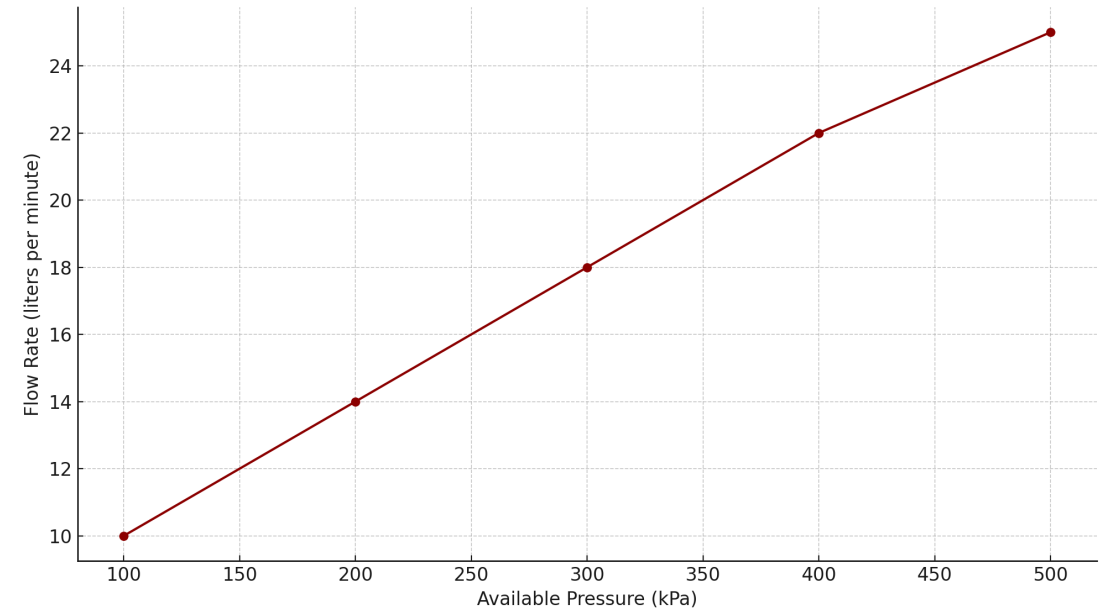
To prevent limescale buildup, immerse aerators and shower handles in vinegar for a few hours, then rinse. Use eucalyptus oil on a soft cloth to remove limescale stains.

### Lubrication

Use only silicone grease for lubrication when needed.



**Flowchart**  
DS200EMSK



**For assistance or technical questions**

service@senese.com  
Tel: +39 0577 160 7485  
www.senese.com