

SENESE

Kappa Bold Deck Mounted Basin Faucet

Installation Guideline

Senese Srl p.iva 01602790527
Loc. Frassi 34, 53011 Castellin in Chianti
senese.com

Kappa Bold Three Hole Lavatory

Deck-Mounted Three-Hole Gooseneck Faucet with High-Polish Black Solid Brass Levers

Article

Polished Brass	LT04LNKB ON 695 Eur incl. VAT
Polished Chrome	LT04LNKB CR 840 Eur incl. VAT
Aged Brass	LT04LNKB AB 920 Eur incl. VAT
Burnished Brass	LT04LNKB BB 920 Eur incl. VAT
Polished Nickel	LT04LNKB NI 920 Eur incl. VAT
Satin Nickel	LT04LNKB NS 1.050 Eur incl. VAT
Black Nickel	LT04LNKB NNO 1.050 Eur incl. VAT
Gold	LT04LNKB OR 1.270 Eur incl. VAT

Cleaning

Wipe the surface with a soft cloth and lukewarm water and possibly with soap solution. Avoid alkaline, acid-liming or abrasive cleaners. Brass is a material that over time gets a beautiful patina but can be polished with brass polish. Aged and Burnished Brass also gets patina but should not be polished. The galvanized surfaces retain their lustre.

Decalcification

Aerators and shower handles should be regularly decalcified by placing them in a vinegar bath for a couple of hours. Should limescale stains occur, use eucalyptus oil and a soft cloth.

Lubrication

Lubricate only with silicone grease.



Kappa Bold Three Hole Lavatory

Deck-Mounted Three-Hole Gooseneck Faucet with Three Spoke Lever Handles

Article

Polished Brass	LT04MSKB ON 595 Eur incl. VAT
Polished Chrome	LT04MSKB CR 720 Eur incl. VAT
Aged Brass	LT04MSKB AB 770 Eur incl. VAT
Burnished Brass	LT04MSKB BB 770 Eur incl. VAT
Polished Nickel	LT04MSKB NI 770 Eur incl. VAT
Satin Nickel	LT04MSKB NS 890 Eur incl. VAT
Black Nickel	LT04MSKB NNO 890 Eur incl. VAT
Gold	LT04MSKB OR 1070 Eur incl. VAT

Cleaning

Wipe the surface with a soft cloth and lukewarm water and possibly with soap solution. Avoid alkaline, acid-liming or abrasive cleaners. Brass is a material that over time gets a beautiful patina but can be polished with brass polish. Aged and Burnished Brass also gets patina but should not be polished. The galvanized surfaces retain their lustre.

Decalcification

Aerators and shower handles should be regularly decalcified by placing them in a vinegar bath for a couple of hours. Should limescale stains occur, use eucalyptus oil and a soft cloth.

Lubrication

Lubricate only with silicone grease.



Installation Guide

Before You Begin

- 1. Turn off the Water Supply**
Ensure all water supply lines are completely shut off before beginning installation.
- 2. Flush Supply Lines**
Run water through the supply lines to clear any debris or sediment. This prevents blockages or damage to internal components of the fixture.
- 3. Isolation Valves**
We recommend installing isolation valves on the hot and cold inlet feeds for easier future maintenance.

Installation Steps:

Positioning the Faucet

- Insert the spout shank through the central hole on the mounting surface. Ensure the gasket is beneath the escutcheon.
- Secure the spout by threading the washers and tightening the nut underneath.
- Required hole diameter: 30 mm.
- Recommended centre-to-centre distance: 100 mm.
- Maximum distance between components: 400 mm.

Installing the Handles

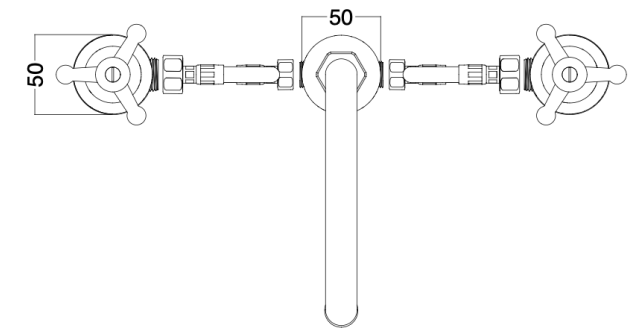
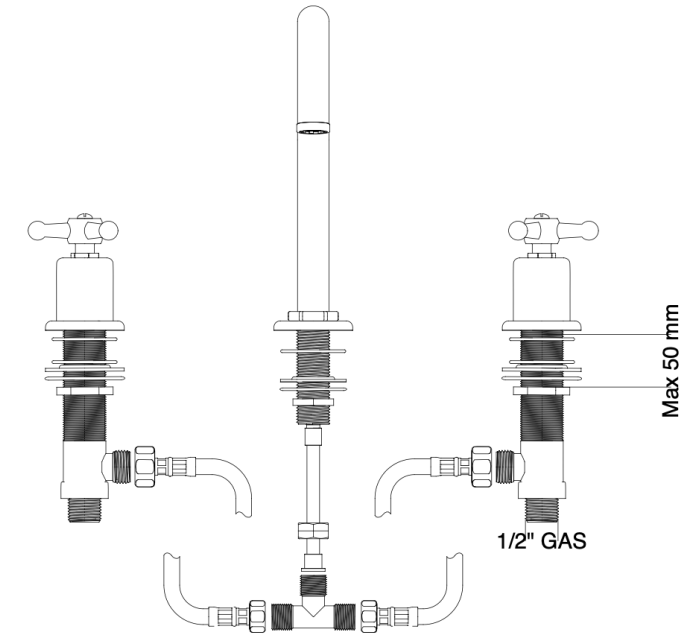
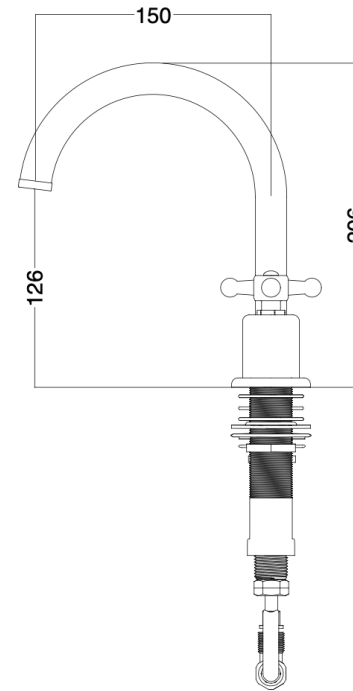
- Insert each handle body through its corresponding hole on the mounting surface.
- Secure using the rubber washer, metal washer, and nut beneath the surface.
- Ensure the handles are aligned correctly for smooth operation.

Connecting Water Supply

- Thread the tee fitting onto the spout shank and tighten securely. Use the provided rubber washer for a proper seal.
- Attach the flexible hoses to the tee and handles. Ensure the connections are tight but avoid over-tightening.

Testing

- Open the faucet and turn the water supply back on.
- Allow water to run through the faucet to flush out any remaining debris.
- Check for any leaks around the connections and handle assembly. Tighten any loose connections as needed.



For assistance or technical questions

service@senese.com
Tel: +39 0577 160 7485
www.senese.com

