

SENESE

Nuvola Flush Plate for Geberit Sigma

Installation Guideline

Senese Srl p.iva 01602790527
Loc. Frassi 34, 53011 Castellina in Chianti
senese.com

Nuvola Flush Plate

Solid Brass Flush Plate

Article

Polished Brass SEPLACSCAN ON

Polished Chrome SEPLACSCAN CR

Aged Brass SEPLACSCAN AB

Burnished Brass SEPLACSCAN BB

Polished Nickel SEPLACSCAN NI

Satin Nickel SEPLACSCAN NS

Black Nickel SEPLACSCAN NNO

Gold SEPLACSCAN OR



Installation Guide for Cielo Flush Plate

Preparing the Wall

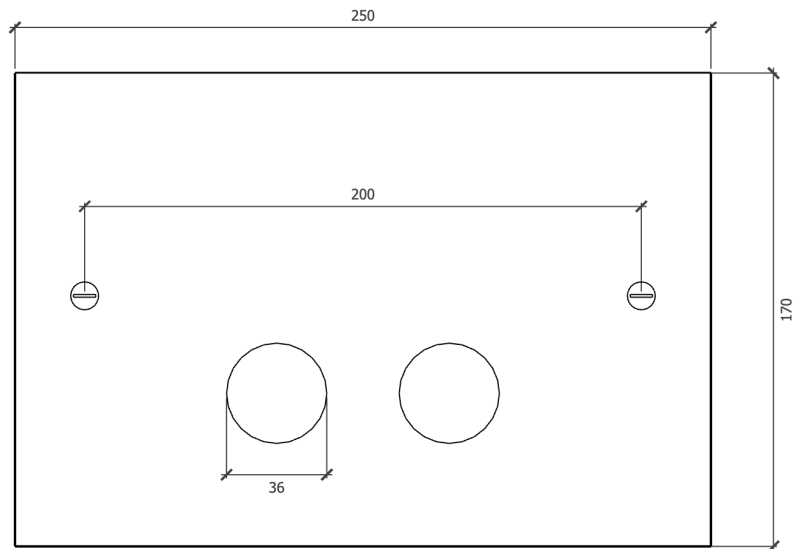
- Ensure the wall surface is tiled and levelled.
- The cut-out for the fixture in wall panels should be made according to Geberit's instructions. Tile as close to the box as possible

Installing the Mounting Frame

- Attach the mounting screws to the fixture as shown in the image (red)
- Mount the plate and align the flush rods to the flush buttons.
- Secure the plate using the provided screws by aligning them with the designated holes.
- Ensure the plate is level and firmly attached.
- Mount the Cielo flush buttons on the plate. Do not overtighten

Cleaning

Wipe the surface with a soft cloth and lukewarm water and possibly with soap solution. Avoid alkaline, acid-liming or abrasive cleaners. Brass is a material that over time gets a beautiful patina but can be polished with brass polish. Aged and Burnished Brass also gets patina but should not be polished. The galvanized surfaces retain their lustre.



For assistance or technical questions

service@senese.com
Tel: +39 0577 160 7485
www.senese.com

