

**SENESE**

**Kappa Thermostatic Shower Set**

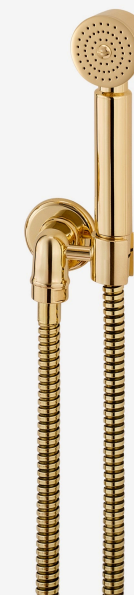
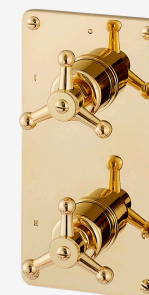
Installation Guideline

## Kappa Thermostatic Shower Set

### Thermostatic Shower Set with 2-way Diverter

#### Article

Polished Brass	TDS200R1SK ON 1.540 Eur incl. VAT
Polished Chrome	TDS200R1SK CR 1.840 Eur incl. VAT
Aged Brass	TDS200R1SK AB 1.990 Eur incl. VAT
Burnished Brass	TDS200R1SK BB 1.990 Eur incl. VAT
Polished Nickel	TDS200R1SK NI 1.990 Eur incl. VAT
Satin Nickel	TDS200R1SK NS 2.295 Eur incl. VAT
Black Nickel	TDS200R1SK NNO 2.295 Eur incl. VAT
Gold	TDS200R1SK OR 2.750 Eur incl. VAT



## Installation Guide

### Before You Begin:

- 1. Turn off the Water Supply**  
Ensure all water supply lines are completely shut off before beginning installation.
- 2. Flush Supply Lines**  
Run water through the supply lines to clear any debris or sediment. This prevents blockages or damage to internal components of the fixture.
- 3. Isolation Valves**  
We recommend installing isolation valves on the hot and cold inlet feeds for easier future maintenance.

### Installation Steps:

#### Step 1: Mount the Thermostatic Body

- Use the provided drawings to position the body **at the correct tolerance** relative to the finished wall surface.

#### Step 2: Connecting the Water Supply

- Connect the hot and cold-water lines to the designated inlets. **Ensure the hot line is connected on the left** when viewed from the front.

#### Step 3: Connect the Shower Rose and Hand Shower

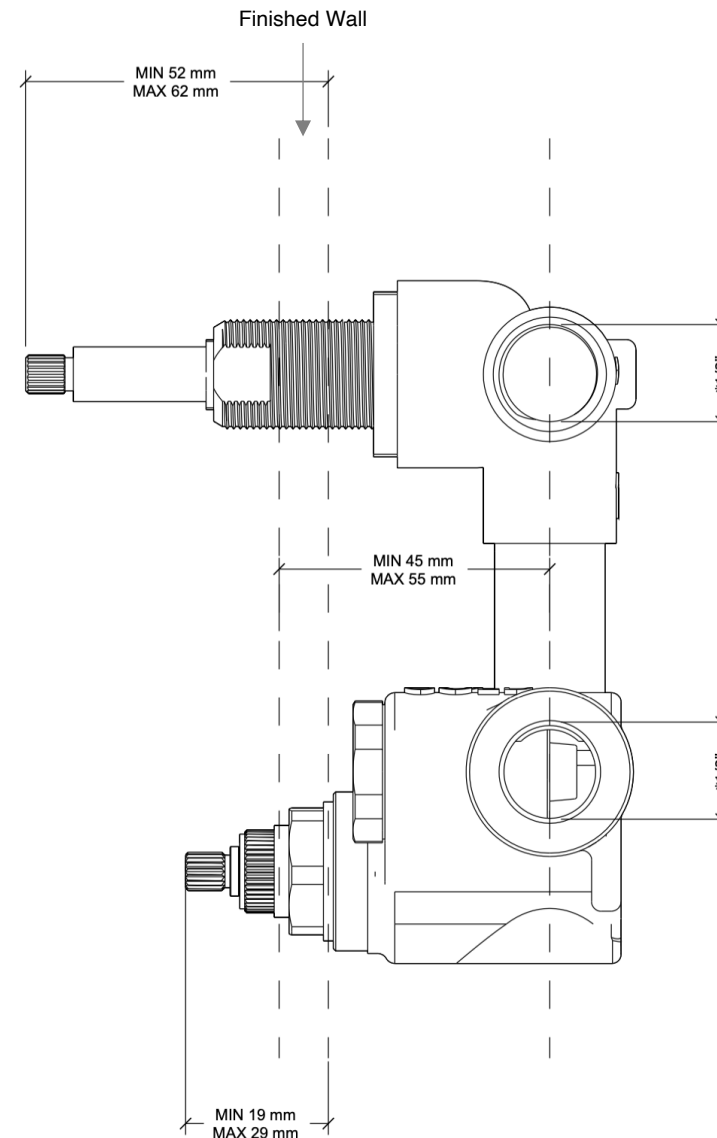
- Top Outlet:** Connect to the shower rose.
- Bottom Outlet:** Connect to the hand shower.
- Tighten all connections securely to prevent leaks.

#### Step 4: Securing the Handles and Deviator

- Attach the diverter by screwing it into place.
- Attach the handles to the valve cartridges by screwing them into place. Ensure they are aligned correctly for proper operation.

#### Step 5: Flushing and Testing

- Open the faucet and turn the water supply back on.
- Allow water to run through the faucet to flush out any remaining debris.**
- Check for any leaks around the handle assembly.



## Post-Installation Care

### Cleaning and Maintenance

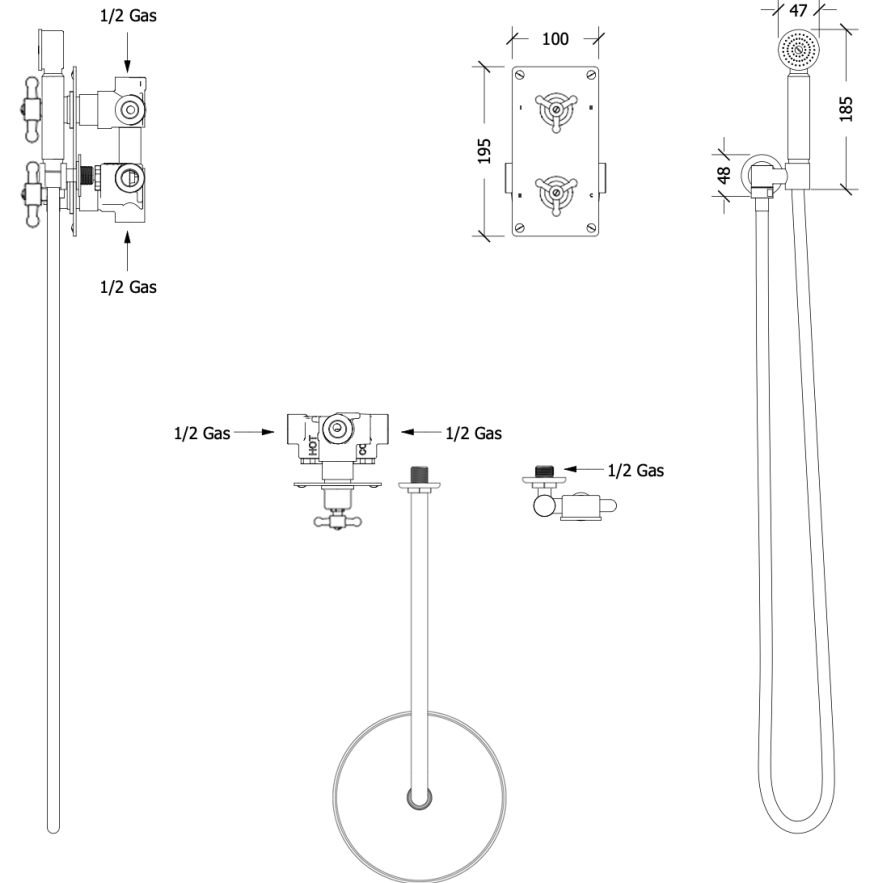
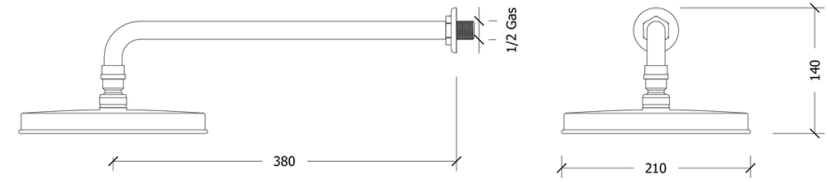
Regularly clean the faucet surface with a soft cloth, lukewarm water, and mild soap. Avoid using harsh chemicals or abrasive materials. For brass finishes, use brass polish to maintain shine, except for aged or burnished brass which should not be polished.

### Aerator and Shower Handle Decalcification

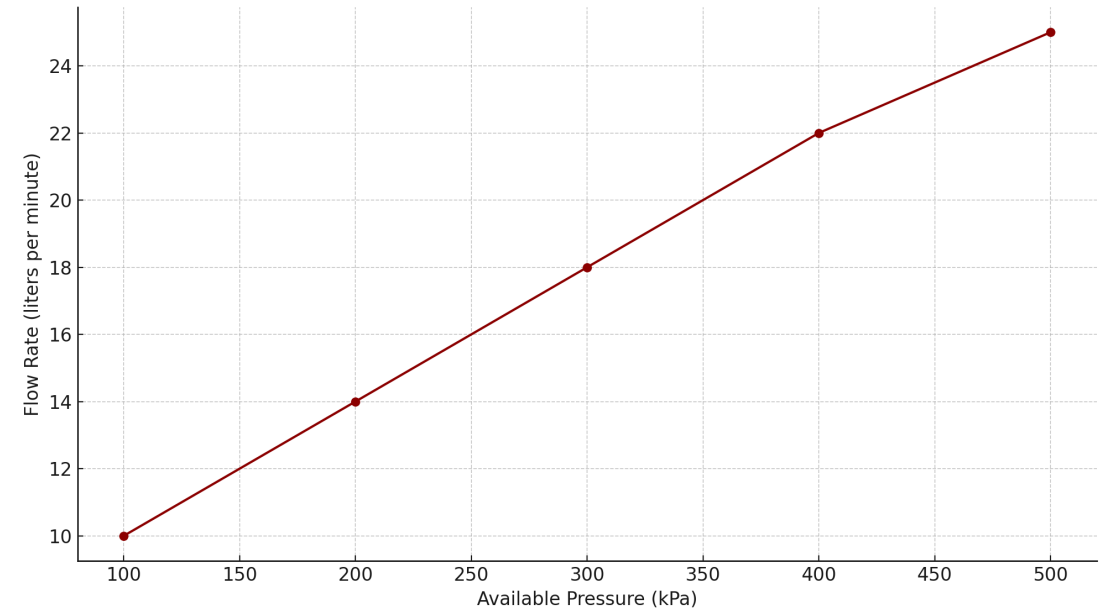
To prevent limescale buildup, immerse aerators and shower handles in vinegar for a few hours, then rinse. Use eucalyptus oil on a soft cloth to remove limescale stains.

### Lubrication

Use only silicone grease for lubrication when needed.



**Flowchart**  
TDS200R1SK



**For assistance or technical questions**

service@senese.com  
Tel: +39 0577 160 7485  
www.senese.com