

SENESE

Cielo / Cielo Sans Thermostatic Shower Set

Installation Guideline

Senese Srl p.iva 01602790527
Loc. Frassi 34, 53011 Castellin in Chianti
senese.com

Cielo Thermostatic Shower Set

Thermostatic Shower Set with 2-way Diverter

Article

Polished Brass	TDS200RLGCI ON
Polished Chrome	TDS200RLGCI CR
Aged Brass	TDS200RLGCI AB
Burnished Brass	TDS200RLGCI BB
Polished Nickel	TDS200RLGCI NI
Satin Nickel	TDS200RLGCI NS
Black Nickel	TDS200RLGCI NNO
Gold	TDS200RLGCI OR

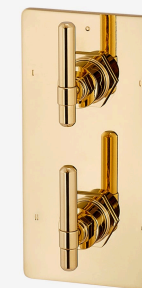


Cielo Sans Thermostatic Shower Set

Thermostatic Shower Set with 2-Way Diverter

Article

Polished Brass	TDS200RLLCS ON
Polished Chrome	TDS200RLLCS CR
Aged Brass	TDS200RLLCS AB
Burnished Brass	TDS200RLLCS BB
Polished Nickel	TDS200RLLCS NI
Satin Nickel	TDS200RLLCS NS
Black Nickel	TDS200RLLCS NNO
Gold	TDS200RLLCS OR



Installation Guide

Before You Begin:

- 1. Turn off the Water Supply**
Ensure all water supply lines are completely shut off before beginning installation.
- 2. Flush Supply Lines**
Run water through the supply lines to clear any debris or sediment. This prevents blockages or damage to internal components of the fixture.
- 3. Isolation Valves**
We recommend installing isolation valves on the hot and cold inlet feeds for easier future maintenance.

Installation Steps:

Mount the Thermostatic Body

- Use the provided drawings to position the body **at the correct tolerance** relative to the finished wall surface.

Connecting the Water Supply

- Connect the hot and cold-water lines to the designated inlets. **Ensure the hot line is connected on the left** when viewed from the front.

Connect the Shower Rose and Hand Shower

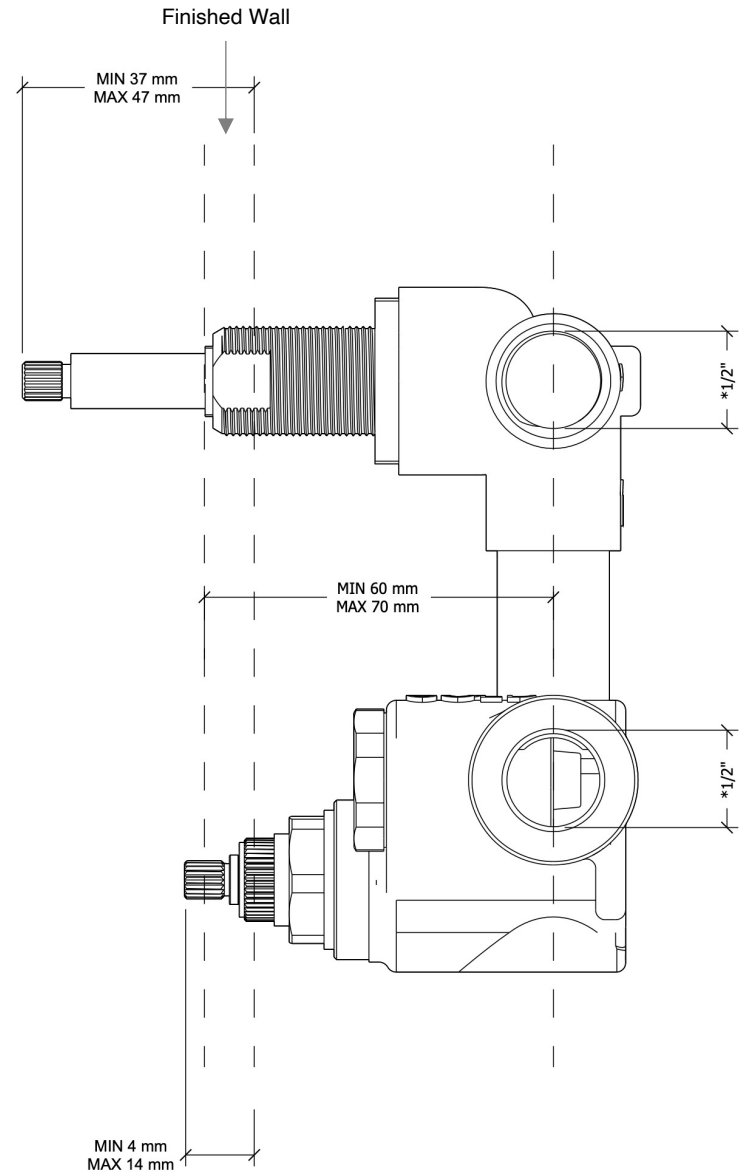
- Top Outlet:** Connect to the shower rose.
- Right Outlet:** Connect to the hand shower.
- Tighten all connections securely to prevent leaks.

Mount the Plate and Secure the Handles

- Attach the diverter and thermostatic bodies by screwing them into place.
- Carefully mount the cover plate over the valve bodies. Apply a thin bead of silicone behind the cover plate and press it flush against the wall.
- Mount the escutcheon plates on the faucet bodies and push them flush against the cover plate.
- Attach the back part of the faucet handles by threading them onto the respective valve stems.

Testing

- Open the faucet and turn the water supply back on.
- Allow water to run through the faucet to flush out any remaining debris.
- Check for any leaks around the handle assembly.



Post-Installation Care

Cleaning and Maintenance

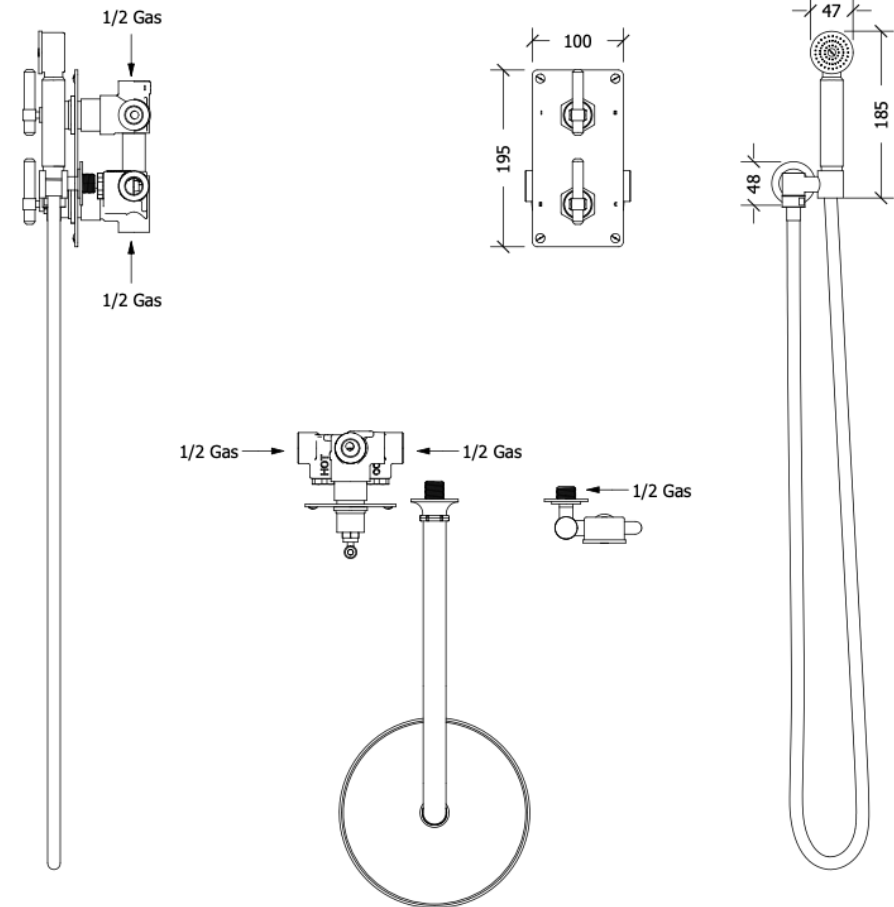
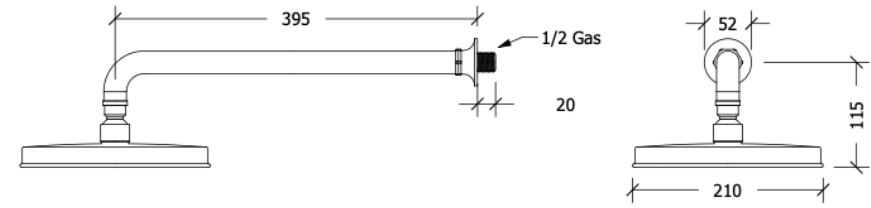
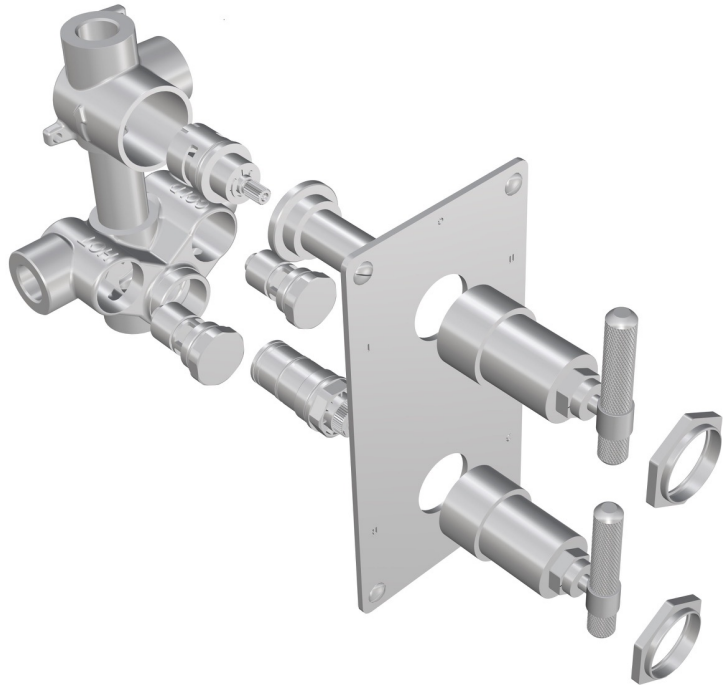
Regularly clean the faucet surface with a soft cloth, lukewarm water, and mild soap. Avoid using harsh chemicals or abrasive materials. For brass finishes, use brass polish to maintain shine, except for aged or burnished brass which should not be polished.

Aerator and Shower Handle Decalcification

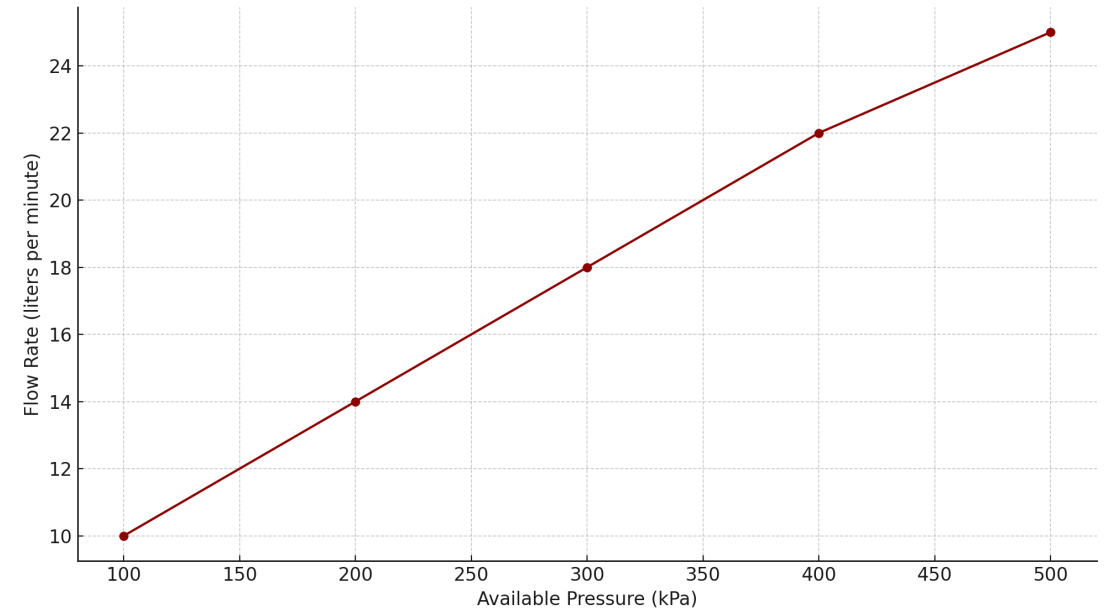
To prevent limescale buildup, immerse aerators and shower handles in vinegar for a few hours, then rinse. Use eucalyptus oil on a soft cloth to remove limescale stains.

Lubrication

Use only silicone grease for lubrication when needed.



Flowchart
TDS200RLGCI / TDS200RLLCS



For assistance or technical questions

service@senese.com
Tel: +39 0577 160 7485
www.senese.com